
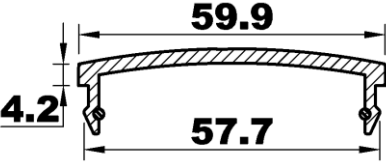

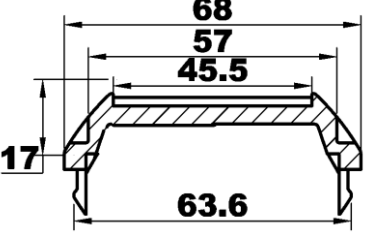

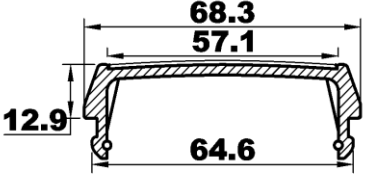

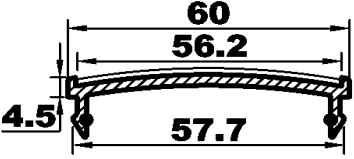

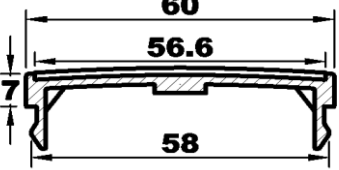
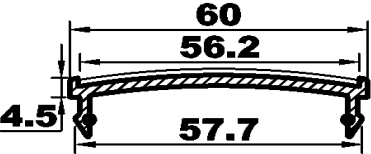

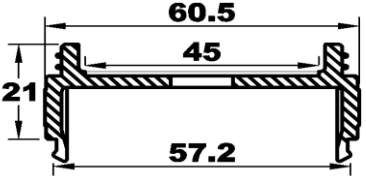

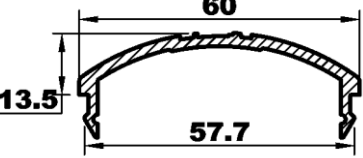


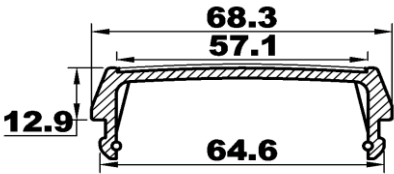

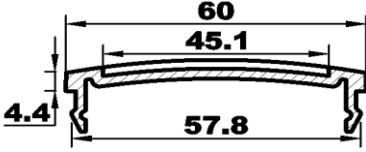

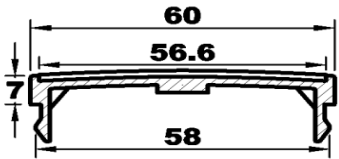

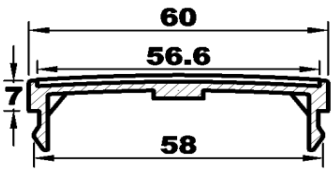

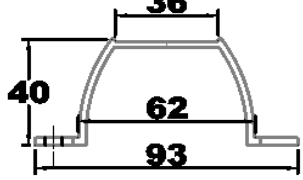



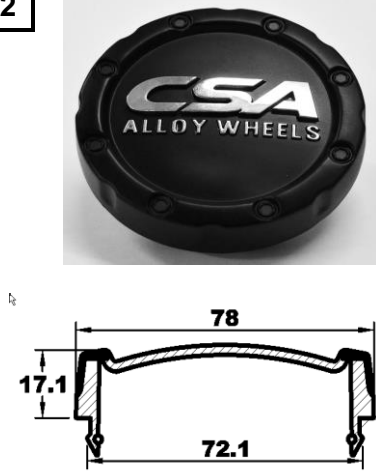



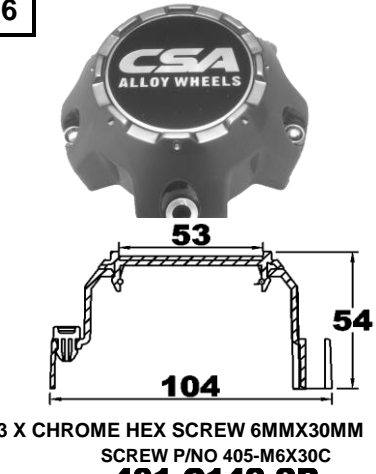
WHEEL CAPS - TO SUIT CSA PASSENGER & SUV ALLOY WHEELS

<p>P1</p>   <p>401-C153</p>	<p>P2</p>   <p>401-537</p>	<p>P3</p>   <p>401-C138</p>
<p>P4</p>   <p>401-C158S</p>	<p>P5</p>   <p>401-619</p>	<p>P6</p>   <p>401-C158B</p>
<p>P7</p>   <p>401-847</p>	<p>P8</p>   <p>401-C153D</p>	<p>P9</p>   <p>401-8C033</p>


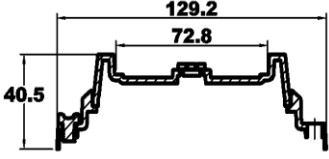

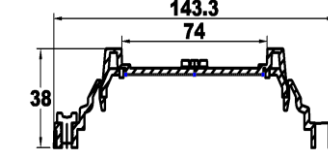



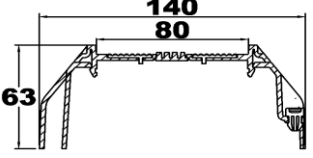

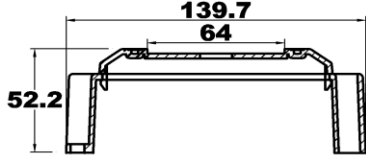

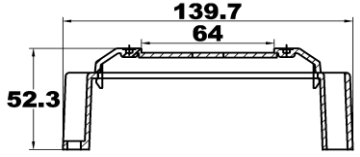

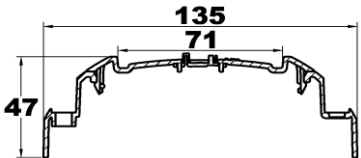

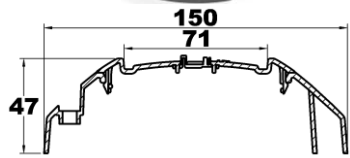

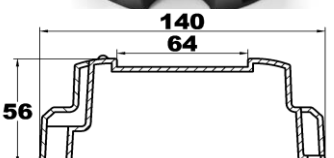
WHEEL CAPS - TO SUIT CSA PASSENGER & SUV ALLOY WHEELS

<p>P10</p>   <p>401-C138B</p>	<p>P11</p>   <p>401-C154</p>	<p>P12</p>   <p>401-619M</p>
<p>P13</p>   <p>401-619B</p>	<p>P14</p>   <p>5 X PAN HEAD SCREWS 4MMX10MM SCREW P/N 405-M4X10 401-C160</p>	


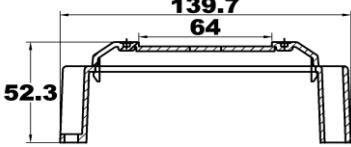

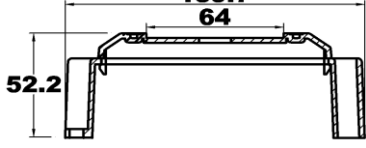

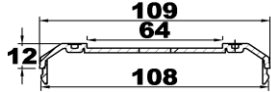

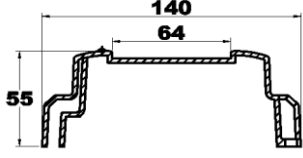

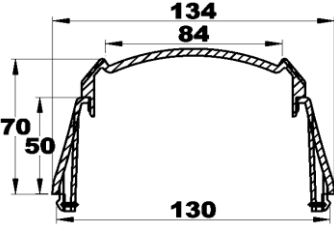

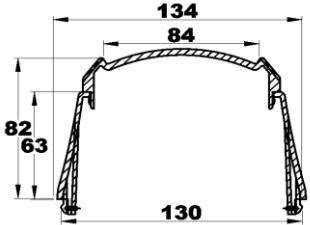

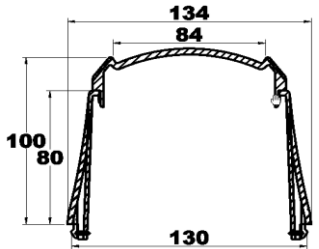

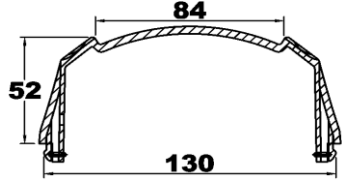

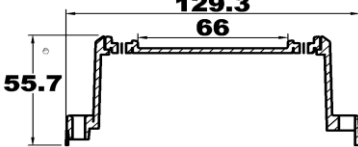
SMALL CAPS - TO SUIT CSA 4x4 ALLOY WHEELS

<p>S1</p>  <p>401-130B 401-130GB CLIP IN</p>	<p>S2</p>  <p>401-155GB 401-C155B CLIP IN</p>	<p>S3</p>  <p>401-537 CLIP IN</p>
<p>S4</p>  <p>401-C155A CLIP IN</p>	<p>S5</p>  <p>401-C178-SC CLIP IN</p>	<p>S6</p>  <p>3 X CHROME HEX SCREW 6MMX30MM SCREW P/NO 405-M6X30C 401-C142-SB 401-C142-SG 5MM KEY P/NO 405-F502 5 STUD ONE PIECE</p>
<p>S7</p>	<p>S8</p>	<p>S9</p>

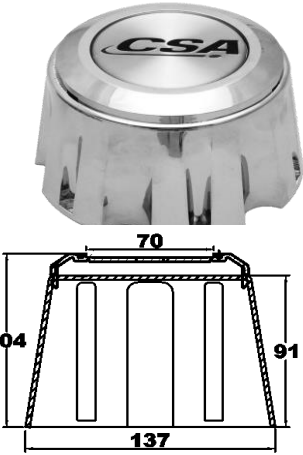
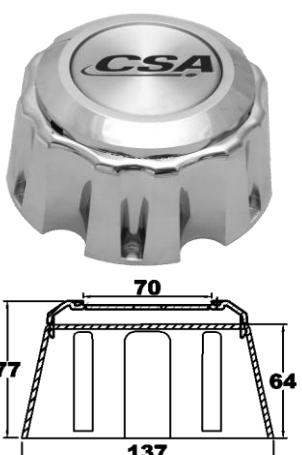
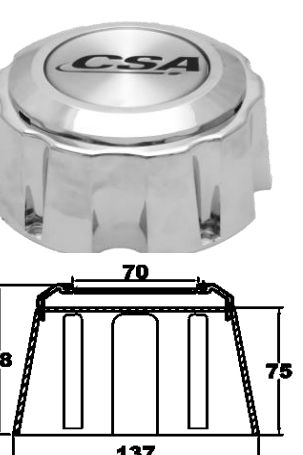


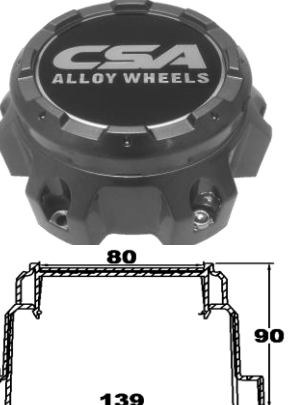
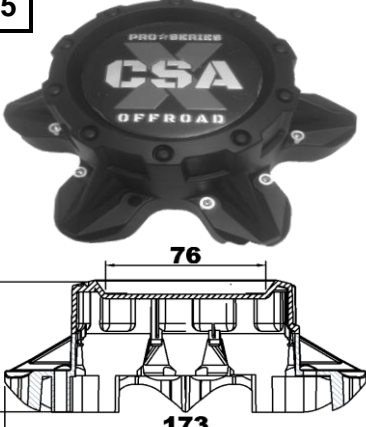
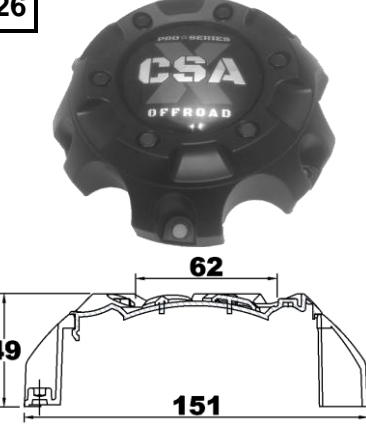
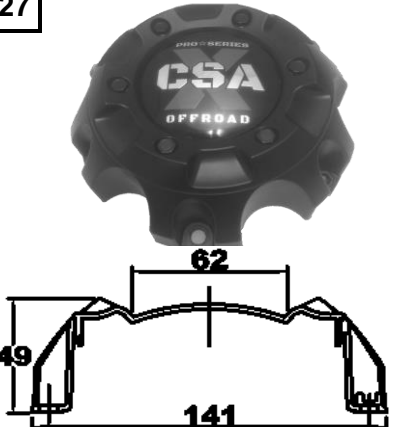
LARGE CAPS - TO SUIT CSA 4x4 ALLOY WHEELS

<p>L1</p>   <p>129.2 72.8 40.5</p> <p>3 X BLACK HEX SCREW 6MMX20MM SCREW P/NO 405-M6X20B 5MM HEX KEY P/NO 405-F502 401-C137-6SB 401-C137-6GB 6 STUD ONE PIECE</p>	<p>L2</p>   <p>143.3 74 38</p> <p>3 X BLACK HEX SCREW 6MMX20MM SCREW P/NO 405-M6X20B 5MM HEX KEY P/NO 405-F502 401-137-5SB 401-137-5GB 5 STUD ONE PIECE</p>	<p>L3</p>   <p>139 81 58</p> <p>3 X CHROME HEX SCREW 6MMX30MM SCREW P/NO 405-M6X30C 5MM HEX KEY P/NO 405-F502 401-C141-6E 401-C141-6GB 401-C141-6SB 6 STUD 2 PIECE</p>
<p>L4</p>   <p>140 80 63</p> <p>3 X CHROME HEX SCREW 6MMX30MM SCREW P/NO 405-M6X30C 5MM HEX KEY P/NO 405-F502 401-C141-5E 401-C141-5GB 5 STUD 2 PIECE</p>	<p>L5</p>   <p>139.7 64 52.2</p> <p>3 X CHROME HEX SCREW 6MMX16MM SCREW P/NO 405-M6X16C 5MM HEX KEY P/NO 405-F502 401-C140 6 STUD 2 PIECE</p>	<p>L6</p>   <p>139.7 64 52.3</p> <p>3 X CHROME HEX SCREW 6MMX16MM SCREW P/NO 405-M6X16C 5MM HEX KEY P/NO 405-F502 401-C139 5 STUD 2 PIECE</p>
<p>L7</p>   <p>135 71 47</p> <p>2 X CHROME HEX SCREW 6MMX30MM SCREW P/NO 405-M6X30C 5MM HEX KEY P/NO 405-F502 401-89-9765 6 STUD 2 PIECE</p>	<p>L8</p>   <p>150 71 47</p> <p>2 X CHROME HEX SCREW 6MMX30MM SCREW P/NO 405-M6X30C 5MM HEX KEY P/NO 405-F502 401-89-9750 5 STUD 2 PIECE</p>	<p>L9</p>   <p>140 64 56</p> <p>3 X BLACK HEX SCREWS 6MMX16MM SCREW P/NO 405-M6X16B 5MM HEX KEY P/NO 405-F502 401-132-6B 401-132-6GB 6 STUD ONE PIECE</p>


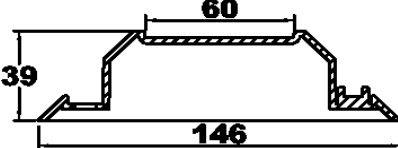

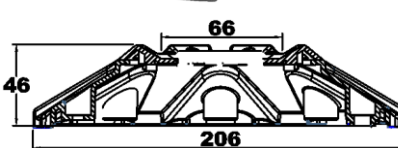

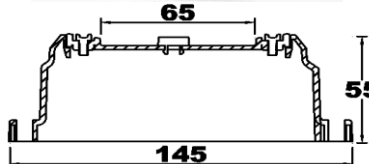
LARGE CAPS - TO SUIT CSA 4x4 ALLOY WHEELS

<p>L10</p>   <p>139.7 64 52.3</p> <p>3 X BLACK HEX SCREWS 6MMX16MM SCREW P/NO 405-M6X16B 5MM HEX KEY P/NO 405-F502</p> <p>401-C139B 5 STUD 2 PIECE</p>	<p>L11</p>   <p>139.7 64 52.2</p> <p>3 X BLACK HEX SCREWS 6MMX16MM SCREW P/NO 405-M6X16B 5MM HEX KEY P/NO 405-F502</p> <p>ONE PIECE 401-C140B2 TWO PIECE 401-C140B 6 STUD</p>	<p>L12</p>   <p>109 64 12 108</p> <p>END CAP SUIT 401-C139B 401-C140B</p> <p>401-C140B-EC</p>
<p>L13</p>   <p>140 64 55</p> <p>3 X BLACK HEX SCREWS 6MMX16MM SCREW P/NO 405-M6X16B 5MM HEX KEY P/NO 405-F502</p> <p>401-131-5B 5 STUD ONE PIECE</p>	<p>L14</p>   <p>134 84 70 50 130</p> <p>401-180-6S 6 STUD CLIP IN 2 PIECE</p>	<p>L15</p>   <p>134 84 82 63 130</p> <p>401-180-5S 5 STUD CLIP IN 2 PIECE</p>
<p>L16</p>   <p>134 84 100 80 130</p> <p>401-180-6L 6 STUD CLIP IN 2 PIECE</p>	<p>L17</p>   <p>84 52 130</p> <p>401-180-6XS 6 STUD CLIP IN ONE PIECE</p>	<p>L18</p>   <p>129.3 66 55.7</p> <p>5MM HEX KEY P/NO 405-F502 3 X CHROME HEX SCREW 6MMX25MM SCREW P/NO 405-M6X25C</p> <p>401-6019-L55GB 401-6019-L55B 6 STUD ONE PIECE</p>


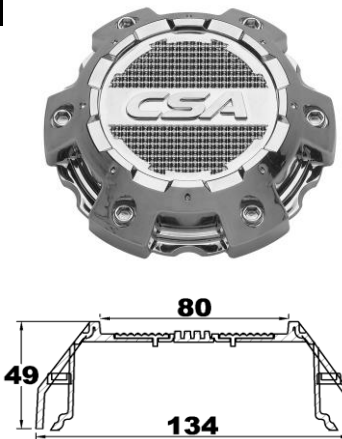
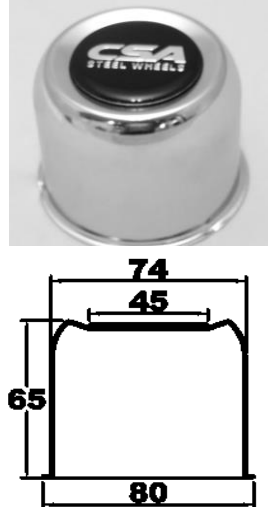
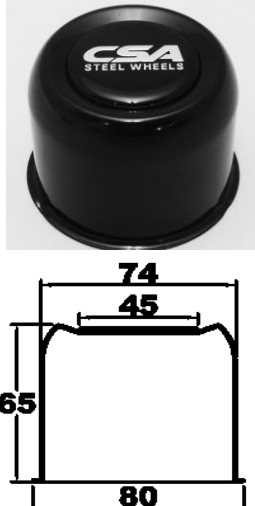
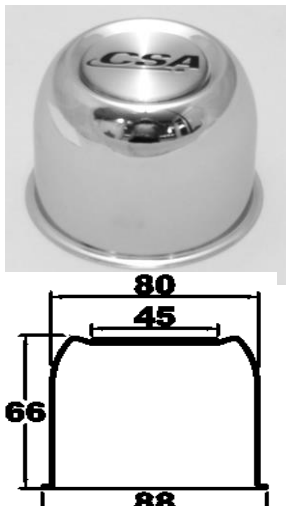
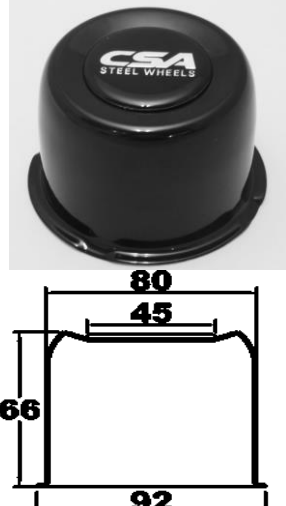
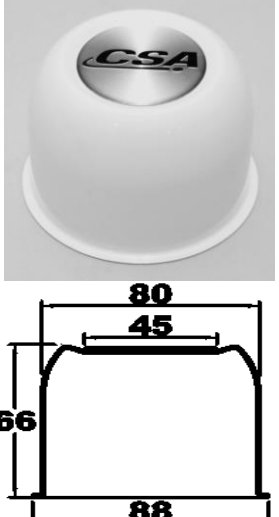
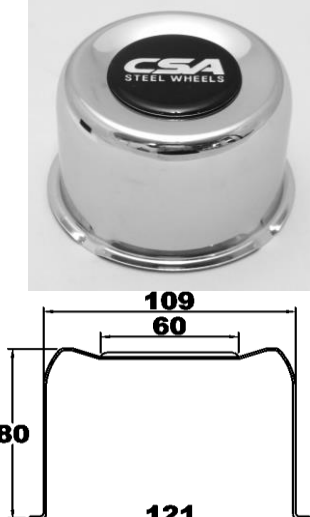
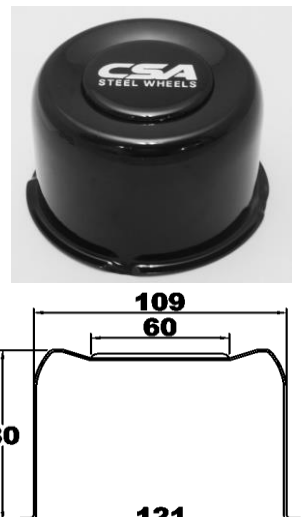
LARGE CAPS - TO SUIT CSA 4x4 ALLOY WHEELS

<p>L19</p>  <p>3 X CHROME SCREWS 4MM X13MM PHILLIPS HEAD SCREW P/NO 405-M4X13</p> <p>401-173 6 STUD 2 PIECE</p>	<p>L20</p>  <p>3 X CHROME SCREWS 4MM X13MM PHILLIPS HEAD SCREW P/NO 405-M4X13</p> <p>401-173S 6 STUD 2 PIECE</p>	<p>L21</p>  <p>3 X CHROME SCREWS 4MM X13MM PHILLIPS HEAD SCREW P/NO 405-M4X13</p> <p>401-173-5 5 STUD 2 PIECE</p>
<p>L22</p>  <p>END CAP SUIT 401-173 401-173S 401-173-5</p> <p>401-172</p>	<p>L23</p>  <p>3 X CHROME SCREWS 4MM X13MM PHILLIPS HEAD SCREW P/NO 405-M4X13</p> <p>401-156</p>	<p>L24</p>  <p>5MM HEX KEY P/NO 405-F502 3 X CHROME HEX SCREW 6MMX30MM SCREW P/NO 405-M6X30C</p> <p>401-C142L-6E 401-C142L-6SB 6 STUD 2 PIECE EXTRA LONG</p>
<p>L25</p>  <p>3 X CHROME HEX SCREW 5MMX30MM SCREW P/NO 405-M5X30C 4MM HEX KEY P/NO 405-F508</p> <p>401-C143-6SB 6 STUD 2 PIECE</p>	<p>L26</p>  <p>3 X BLACK HEX SCREWS 6MMX16MM SCREW P/NO 405-M6X16B 5MM HEX KEY P/NO 405-F502</p> <p>401-C146-5SB 5 STUD ONE PIECE</p>	<p>L27</p>  <p>3 X BLACK HEX SCREWS 6MMX16MM SCREW P/NO 405-M6X16B 5MM HEX KEY P/NO 405-F502</p> <p>401-C146-6SB 6 STUD ONE PIECE</p>


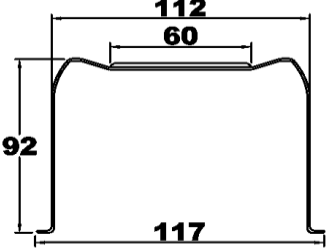

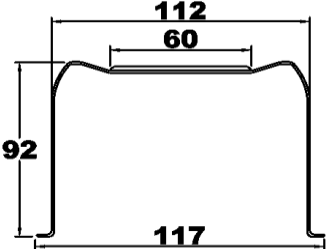

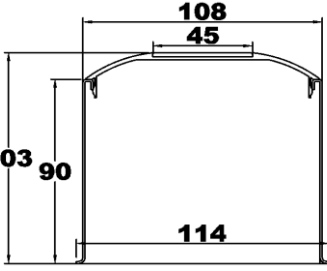

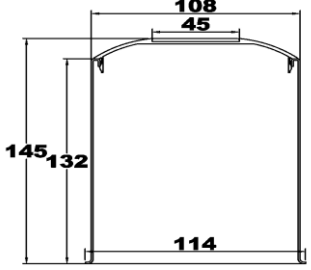

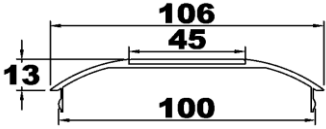
LARGE CAPS - TO SUIT CSA 4x4 ALLOY WHEELS

<p>L28</p>   <p>60 39 146</p> <p>2 X BLACK HEX SCREW 8MMX25MM SCREW P/NO 405-M8X25B 6MM HEX KEY P/NO 405-F500 401-C145-6SB 6 STUD ONE PIECE</p>	<p>L29</p>   <p>66 46 206</p> <p>2 X CHROME HEX SCREW 8MMX30MM SCREW P/NO 405-M8X30C 6MM HEX KEY P/NO 405-F500 401-C144-SB 5, 6, 8, STUD ONE PIECE</p>	<p>L30</p>   <p>65 145 55</p> <p>5MM HEX KEY P/NO 405-F502 3 X CHROME HEX SCREW 6MMX25MM SCREW P/NO 405-M6X25C 401-6019-L55-5SB 5 STUD ONE PIECE</p>
<p>L31</p>	<p>L32</p>	<p>L33</p>

CAPS - TO SUIT CSA STEEL WHEELS

<p>ST1</p>  <p>401-170B 6 STUD NUT FITMENT</p>	<p>ST2</p>  <p>401-170C 6 STUD NUT FITMENT</p>	<p>ST3</p>  <p>401-140</p>
<p>ST4</p>  <p>401-140B</p>	<p>ST5</p>  <p>401-145</p>	<p>ST6</p>  <p>401-145B</p>
<p>ST7</p>  <p>401-145W</p>	<p>ST8</p>  <p>401-157</p>	<p>ST9</p>  <p>401-157B</p>

CAPS - TO SUIT CSA STEEL WHEELS

<p>ST10</p>   <p>401-158</p>	<p>ST11</p>   <p>401-158B</p>	<p>ST12</p>   <p>401-160 2 PIECE</p>
<p>ST13</p>   <p>401-164 2 PIECE</p>	<p>ST14</p>   <p>END CAP SUIT 401-160 401-164</p> <p>401-169</p>	